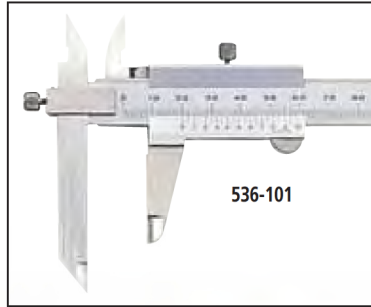


Offset Caliper

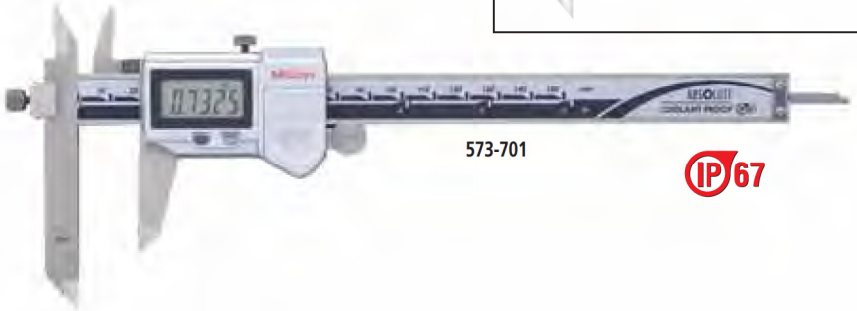
SERIES 573, 536 — ABSOLUTE Digimatic and Vernier Type

FEATURES

- Main scale jaw can slide up and down to facilitate measurement of stepped sections. (Hard-to-get-at dimensions such as A, B, C can be accurately measured.)
- With depth bar.
- With SPC data output. (Series 573)
- Supplied in fitted plastic case.



536-101



573-701



SPECIFICATIONS

Metric Digital model

Range	Order No.	Accuracy	Resolution	Mass (g)
0 - 150mm	573-601	±0.02mm	0.01mm	168
0 - 200mm	573-602	±0.02mm	0.01mm	198
0 - 300mm	573-604	±0.03mm	0.01mm	350

Metric

Range	Order No.	Accuracy	Graduation	Mass (g)
0 - 150mm	536-101	±0.05mm	0.05mm	150
0 - 200mm	536-102	±0.05mm	0.05mm	200
0 - 300mm	536-103	±0.08mm	0.05mm	400

Inch/Metric Digital model

Range	Order No.	Accuracy	Resolution	Mass (g)
0 - 6" / 0 - 150mm	573-701	±.001"	.0005" / 0.01mm	168
0 - 8" / 0 - 200mm	573-702	±.001"	.0005" / 0.01mm	198
0 - 12" / 0 - 300mm	573-704	±.0015"	.0005" / 0.01mm	350

DIMENSIONS

Unit: mm

Range	a	b	c	d
0 - 6" / 0 - 150mm	95	10	40	30.4 (30)
0 - 8" / 0 - 200mm	95	10	50	40.4 (38.5)
0 - 12" / 0 - 300mm	135	15	64	51

() Digital Model



Technical Data

Accuracy: Refer to the list of specifications.
 Resolution*: .0005"/0.01mm or 0.01mm
 Graduation**: 0.05mm
 Display*: LCD
 Length standard*: ABSOLUTE electrostatic capacitance type linear encoder
 Max. response speed*: Unlimited
 Battery*: SR44 (1 pc.), **938882**
 Battery life*: Approx. 3.5 years under normal use
 *Digital models **Analog models

Function of Digital Model

Origin-set, Zero-setting, Power On/Off, Data output, inch/mm conversion (on inch/metric models only)
 Alarm: Low voltage, Counting value composition error

Optional Accessories for Digital Model

- 05CZA624**: SPC cable with data switch (40" / 1m)
- 05CZA625**: SPC cable with data switch (80" / 2m)

