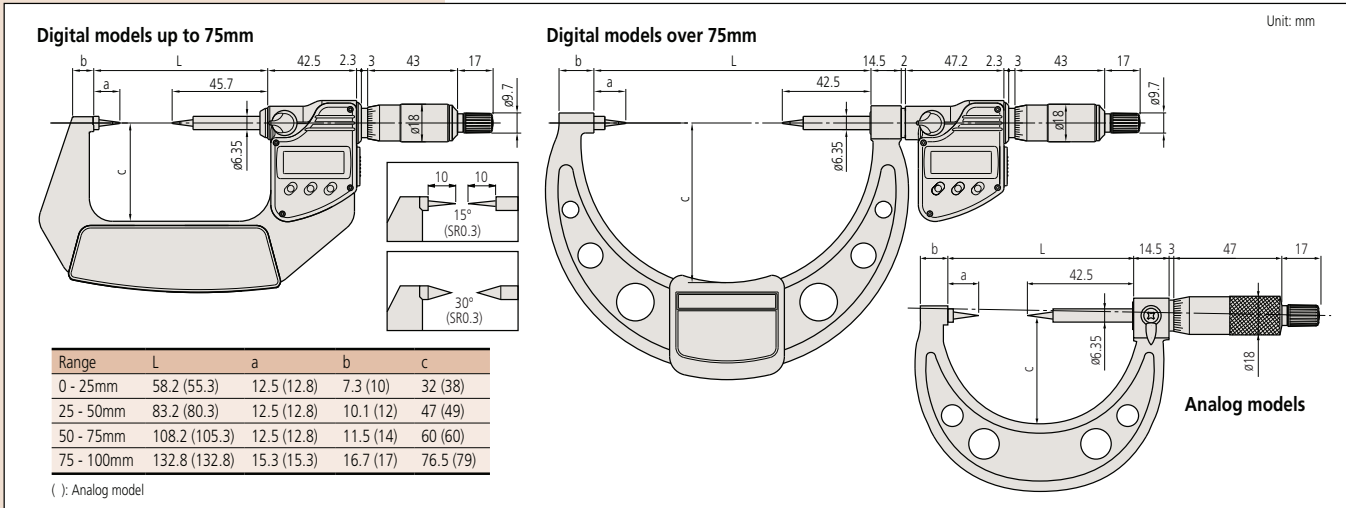


DIMENSION



(Refer to the page 9 for details.)

Crimp Height Micrometers

SERIES 342, 142, 112 — Point Spindle and Blade Anvil

FEATURES

- IP54/65 water/dust protection (342 series).
- Measures the height of crimp contacts.
- With Ratchet Stop for constant force.
- With SPC output (series 342).
- With digit counter (series 142).

Technical Data

Accuracy: Refer to the list of specifications.
(excluding quantizing error for digital models)

Resolution*: 0.001mm or .00005"/0.001mm

Graduation**: 0.01mm or .001"

Display*: LCD

Battery*: SR44 (1 pc.), **938882**

Battery life*: Approx. 1.2 years under normal use
(3 years: Quickmike type)

Dust/Water protection level*: IP65

*Digital models **Analog models

Function of Digital Model

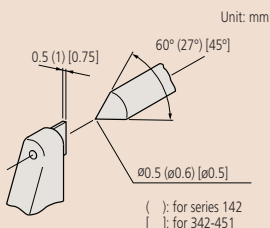
Origin-set, Zero-setting, Data hold, Power ON/OFF*, Data output, inch/mm conversion (inch/mm models)

*Only for Quickmike type

Alarm: Low voltage, Counting value composition error

Optional Accessory for Digital Model

- 05CZA662**: SPC cable with data switch (1m)
- 05CZA663**: SPC cable with data switch (2m)
- 937387**: SPC cable for Quickmike type (1m)
- 965013**: SPC cable for Quickmike type (2m)



SPECIFICATIONS

Metric	Digital model	
Range	Order No.	Accuracy
0 - 20mm	342-271	±3µm

Metric	Quickmike type	
Range	Order No.	Accuracy
0 - 15mm	342-451	±3µm

Metric	Mechanical counter model	
Range	Order No.	Accuracy
0 - 25mm	142-402/142-403*	±3µm

* 0.001mm reading is obtained with vernier.

Inch/Metric	Digital model	
Range	Order No.	Accuracy
0 - 0.8"	342-371	±.00015"

Metric		
Range	Order No.	Accuracy
0 - 25mm	112-401	±3µm