

"Uni-Mike"

SERIES 317, 117 — Interchangeable Anvil Type

FEATURES

- IP65 water/dust protection (317 series).
- Measures tubing thickness, shoulder-edge distance, rivet head height, etc. with interchangeable anvils (flat anvil, rod anvil, V-anvil).
- Supplied with Flat Anvil (**201216**) and Rod Anvil: $\varnothing 3\text{mm}$ rod anvil (**201217**) for 0-25mm models, $\varnothing 5\text{mm}$ (**201379**) for 25-50mm model.
- With special Disk Anvils. The Uni-Mike is used as a height micrometer. The disks have a lapped, mirror surface.



SPECIFICATIONS

Metric Digital model with ratchet stop		
Range	Order No.	Accuracy
0 - 25mm	317-251	$\pm 4\mu\text{m}$
25 - 50mm	317-252	$\pm 4\mu\text{m}$

Excluding quantizing error

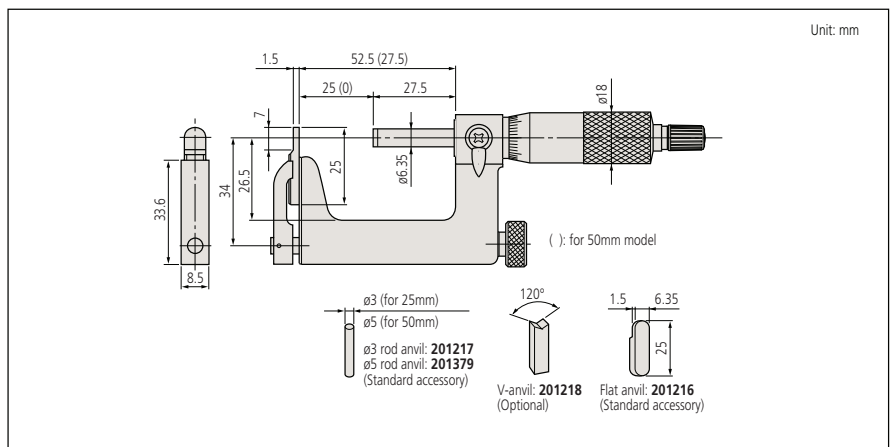
Inch/Metric Digital model with friction thimble		
Range	Order No.	Accuracy
0 - 1"	317-351	$\pm .0002''$
1" - 2"	317-352	$\pm .0002''$

Excluding quantizing error

Metric With ratchet stop		
Range	Order No.	Accuracy
0 - 25mm	117-101	$\pm 4\mu\text{m}$
25 - 50mm	117-102	$\pm 4\mu\text{m}$

Inch With friction thimble		
Range	Order No.	Accuracy
0 - 1"	117-107	$\pm .0002''$
1" - 2"	117-108	$\pm .0002''$

DIMENSION



(Refer to the page 9 for details.)

Technical Data

Accuracy: Refer to the list of specifications.
 (excluding quantizing error for digital models)

Resolution*: 0.001mm or .00005"/0.001mm
 Graduation**: 0.01mm or .0001"

Spindle face: Carbide tipped
 Display*: LCD
 Battery*: SR44 (1 pc.), **938882**
 Battery life*: Approx. 1.2 years under normal use
 Dust/Water protection level*: IP65
 *Digital models **Analog models

Function of Digital Model

Origin-set, Zero-setting, Data hold, Automatic power ON/OFF, Data output, inch/mm conversion (inch/mm models)
 Alarm: Low voltage, Counting value composition error

Optional Accessory

- 05CZA662**: SPC cable with data switch (1m)*
- 05CZA663**: SPC cable with data switch (2m)*
- 201218**: V-anvil
- 950758**: Disk anvil for 25m (1") models
- 950759**: Disk anvil for 50m (2") models

*Only for digital models

