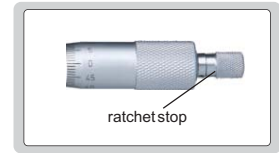


OUTSIDE MICROMETER



- Graduation: metric 0.01mm
imperial 0.0001"
- Carbide measuring faces
- Meet DIN863
- Supplied with setting standards(except 0-25mm and 0-1")

Metric(ratchet stop type) (mm)

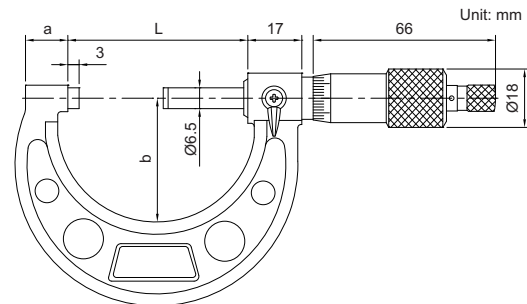
Code	Range	Accuracy	L	a	b
3203-25A	0-25mm	4μm	32	9	28
3203-50A	25-50mm	4μm	57	14	38
3203-75A	50-75mm	5μm	82	15	49
3203-100A	75-100mm	5μm	107	15	60
3203-125A	100-125mm	6μm	133	16.5	73
3203-150A	125-150mm	6μm	158	16.5	85
3203-175A	150-175mm	7μm	183	19.4	104
3203-200A	175-200mm	7μm	209	19.4	117
3203-225A	200-225mm	8μm	234	19.4	130
3203-250A	225-250mm	8μm	260	19.4	142
3203-275A	250-275mm	9μm	285	19.4	155
3203-300A	275-300mm	9μm	310	19.4	168

Metric(ratchet thimble type) (mm)

Code	Range	Accuracy	L	a	b
3203-25FA	0-25mm	4μm	32	9	28
3203-50FA	25-50mm	4μm	57	14	38

Imperial(ratchet stop type) (mm)

Code	Range	Accuracy	L	a	b
3203-1A	0-1"	0.00015"	32	9	28
3203-2A	1-2"	0.00015"	57	14	38
3203-3A	2-3"	0.0002"	82	15	49
3203-4A	3-4"	0.0002"	107	15	60
3203-5A	4-5"	0.00025"	133	16.5	73
3203-6A	5-6"	0.00025"	158	16.5	85



Metric micrometer set (ratchet stop type)

Code	Range	Micrometers included
3203-753A	0-75mm	3203-25A, 3203-50A, 3203-75A
3203-1004A	0-100mm	3203-25A, 3203-50A, 3203-75A, 3203-100A
3203-1506A	0-150mm	3203-25A, 3203-50A, 3203-75A, 3203-100A, 3203-125A, 3203-150A
3203-3006A	150-300mm	3203-175A, 3203-200A, 3203-225A, 3203-250A, 3203-275A, 3203-300A
3203-3012A	0-300mm	3203-25A, 3203-50A, 3203-75A, 3203-100A, 3203-125A, 3203-150A, 3203-175A, 3203-200A, 3203-225A, 3203-250A, 3203-275A, 3203-300A