

Inside Micrometers

SERIES 345, 145 — Caliper Type

FEATURES

- Caliper type jaws are made of high-grade tool steel.
- Locking clamp for positive locking of spindle.
- Satin-chrome finished.
- A special holder is available to be used with the Mitutoyo Micrometer Stand.



SPECIFICATIONS

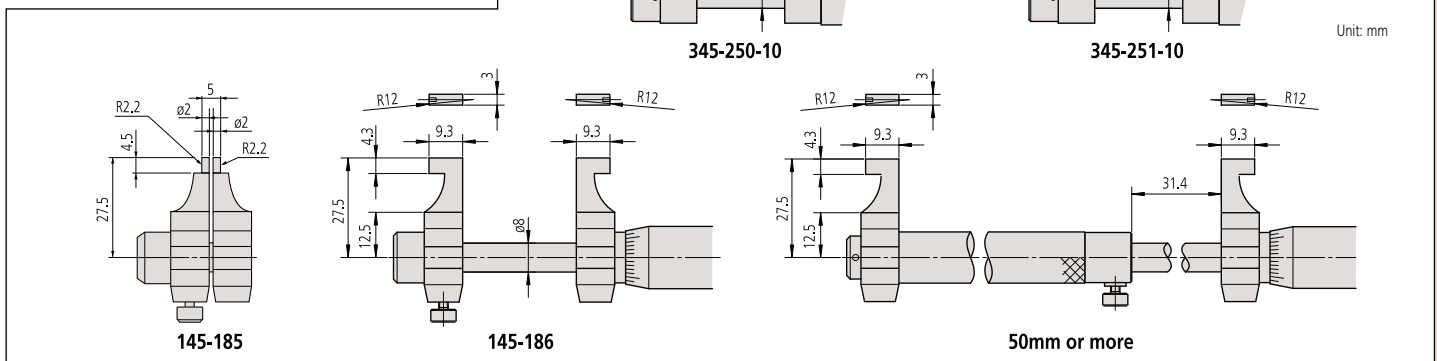
Metric	Order No.	Accuracy
5 - 30mm	345-250-10	±5µm
25 - 50mm	345-251-10	±6µm

Metric	Order No.	Accuracy
5 - 30mm	145-185	±5µm
25 - 50mm	145-186	±6µm
50 - 75mm	145-187	±7µm
75 - 100mm	145-188	±8µm
100 - 125mm	145-189	±9µm
125 - 150mm	145-190	±9µm
150 - 175mm	145-191	±10µm
175 - 200mm	145-192	±10µm
200 - 225mm	145-217	±11µm
225 - 250mm	145-218	±11µm
250 - 275mm	145-219	±12µm
275 - 300mm	145-220	±12µm

Inch/Metric	Order No.	Accuracy
.2" - 1.2"	345-350-10	±.00025"
1" - 2"	345-351-10	±.0003"

Inch	Order No.	Accuracy
.2" - 1.2"	145-193	±.00025"
1" - 2"	145-194	±.0003"
2" - 3"	145-195	±.00035"
3" - 4"	145-196	±.0004"

DIMENSIONS



Technical Data

Accuracy: Refer to the list of specifications. (excluding quantizing error for digital models)
 Resolution*: 0.001mm or .00005"/0.001mm
 Graduation**: 0.01mm or .001"
 Measuring faces: Carbide
 Display*: LCD
 Battery*: SR44 (1 pc.), **938882**
 Battery life*: Approx. 1, 2 year under normal use
 *Digital models **Analog models

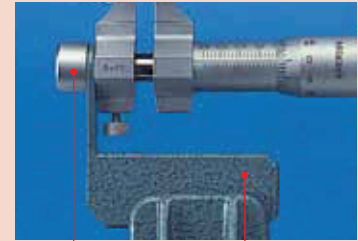
Functions of Digital Model

2-point Preset, Data hold, Automatic power ON/OFF, Data output, inch/mm conversion (inch/mm models)
 Function lock
 Alarm: Low voltage, Counting value composition error

Optional Accessories

05CZA662: SPC cable with data switch (1m)
05CZA663: SPC cable with data switch (2m)
02AZD790B: SPC cable for U-WAVE w/ data switch (160mm)
 _____ : Setting ring (See page C-28.)

For **145-185, 145-186, 145-193, 145-194**



Cap (**300401**) Holder (**300400**)