

Inside Micrometers

SERIES 141 — Interchangeable Rod Type

FEATURES

- Wide range of ID measurements by using one or more interchangeable rods.
- Each interchangeable rod is marked with its measuring range.
- For models supplied with more than one interchangeable rod, the full measuring range is achieved by combining spacing collars with the rods.
- Both micrometer head and rods are satin-chrome finished throughout.



141-101



When using one of the extension rods supplied



Technical Data

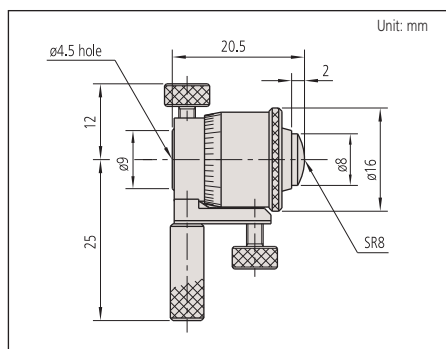
Accuracy: $\pm(6+L/50)\mu\text{m}^*$
 *L = Maximum measuring length (mm), Fraction rounded up
 $\pm[.0003+.00005(R/2)]''^*$
 *R = Maximum measuring length (inch), Fraction rounded up
 Graduation: 0.01mm or .001"

Optional Accessory

Setting ring (See page C-28.)



DIMENSIONS



SPECIFICATIONS

Metric			
Range	Order No.	Head adjustment range	Remarks
25 - 32mm	141-001 / 141-003*	7mm	—
25 - 50mm	141-101 / 141-103*	7mm	with 2 rods
50 - 63mm	141-025 / 141-027*	13mm	—
50 - 200mm	141-205 / 141-211*	13mm	with 3 rods
50 - 300mm	141-206 / 141-212*	13mm	with 5 rods
200 - 225mm	141-009 / 141-011*	25mm	—
200 - 500mm	141-117	25mm	with 3 rods
200 - 1000mm	141-118	25mm	with 8 rods

*with carbide measuring face

Inch			
Range	Order No.	Head adjustment range	Remarks
1" - 1.25"	141-002 / 141-004*	.25"	—
1" - 2"	141-102 / 141-104*	.25"	with 2 rods
2" - 2.5"	141-026 / 141-028*	.5"	—
2" - 8"	141-208 / 141-214*	.5"	with 3 rods
2" - 12"	141-233 / 141-215*	.5"	with 5 rods
8" - 9"	141-010 / 141-012*	1"	—
8" - 20"	141-121	1"	with 3 rods
8" - 40"	141-122	1"	with 8 rods

*with carbide measuring face